



Proudly Made In USA



Elite
Industrial Controls

7308 Driver Rd
Berlin Heights, OH 44814 USA
(567) 234-1057
www.eliteindustrialcontrols.com

MADE IN USA

PROJECT VALVE SIZE

MODEL #

SERIAL #

P.O. #

CUSTOM PRODUCT TAG SERVICES

SERIAL TAGS, DETAILED INSTRUCTIONS, LABELS | Rev. 08/11/23

Elite Industrial Controls is an American manufacturer of Industrial Control Valves and Dampers. We are committed to providing our customers with the highest quality service we would expect from our vendors. In addition to our valve product lines we offer various tag options between product line serial tags along with the customer's logo engraved, equipment instructions on how to use the product in the field and/or warning labels to prevent injury that could occur if equipment is used incorrectly.

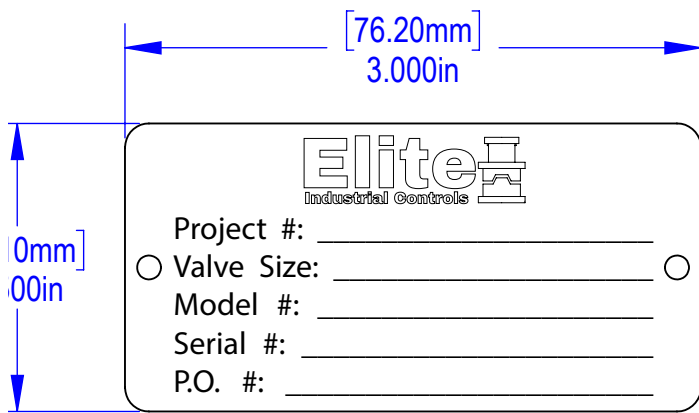
Our tag engravers are the top of the line providing high quality tags each with batch production with minimal time in between each. Each order can be customized specific to your needs whether it be a branded tag with your company's logo or product information for your customer to keep record and reference in case of replacement or issues that can occur in the field.



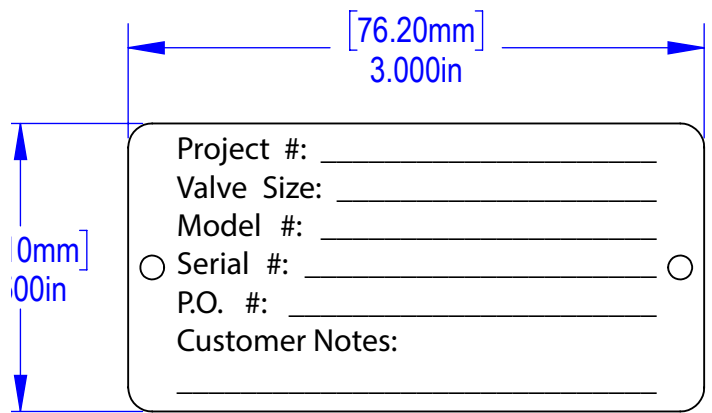
Our Various Engravers Offer:

- Multiple Tag Engraving at Once
- Unique Text Input Per Tag
- Multiple Line Entry to Fit Customer Needs
- Various Powder Coat Options:
 - Gloss Black
 - Blue
 - Red
 - Stainless (Bare)
- Option for Additional Tag Sizes*
- Clean Legible Tags for Operator Use

**Size Dependent on Order QTY*



Example Valve Tag with Logo



Example Valve Tag without Logo

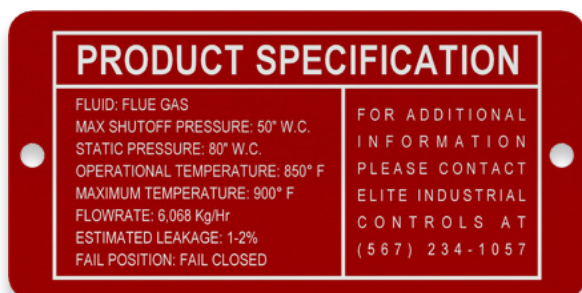
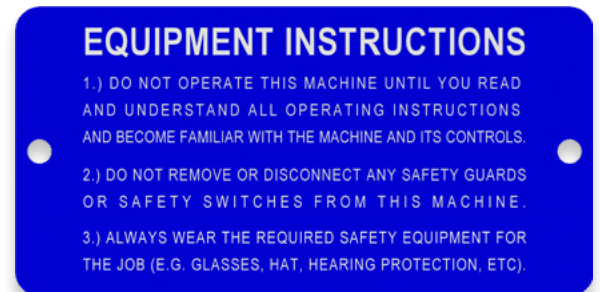
Our standard tag is a 3.00" x 1.50" x 0.06" stainless steel tag that can be riveted or twist tied for your various needs. Each tag can allow up to 5 lines of text at 12pt font with logo. Up to 7 lines can be used without a logo at 12pt font. Our engraver allows tags up to 8" L x 6" W.

Customer Tag Examples



We offer various warning label options from failure of following instructions to warning of improper use can cause bodily harm or death. These warnings can be used on the outside of the product to supply a warning to not open or use.

Every product is unique and may need detailed instructions for the operator. A detailed list provides the operator with what should be performed before product use, during operation and once completed with the product at that time.



Some of our customers require a product specification to be listed on the valve itself. This allows a technician and/or operator to find specific information needed upon valve inspection. We can add any additional contact information as needed.