

4300 SERIES BUBBLE TIGHT / ZERO LEAKAGE BUTTERFLY VALVE

4300 SERIES FLATE-O-SEAL | Rev. 10/18/23

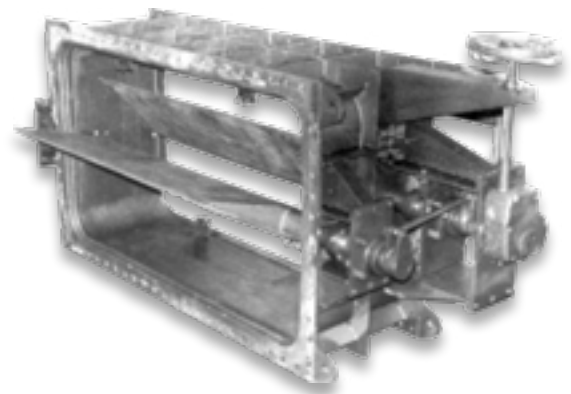
Elite Industrial Controls is an American manufacturer of Industrial Control Valves and Dampers. We offer solutions to Industrial Automation and thermal management solutions serving customers around the world in various industries and across several technological platforms. We are committed to providing customers with service of the highest possible level of quality.



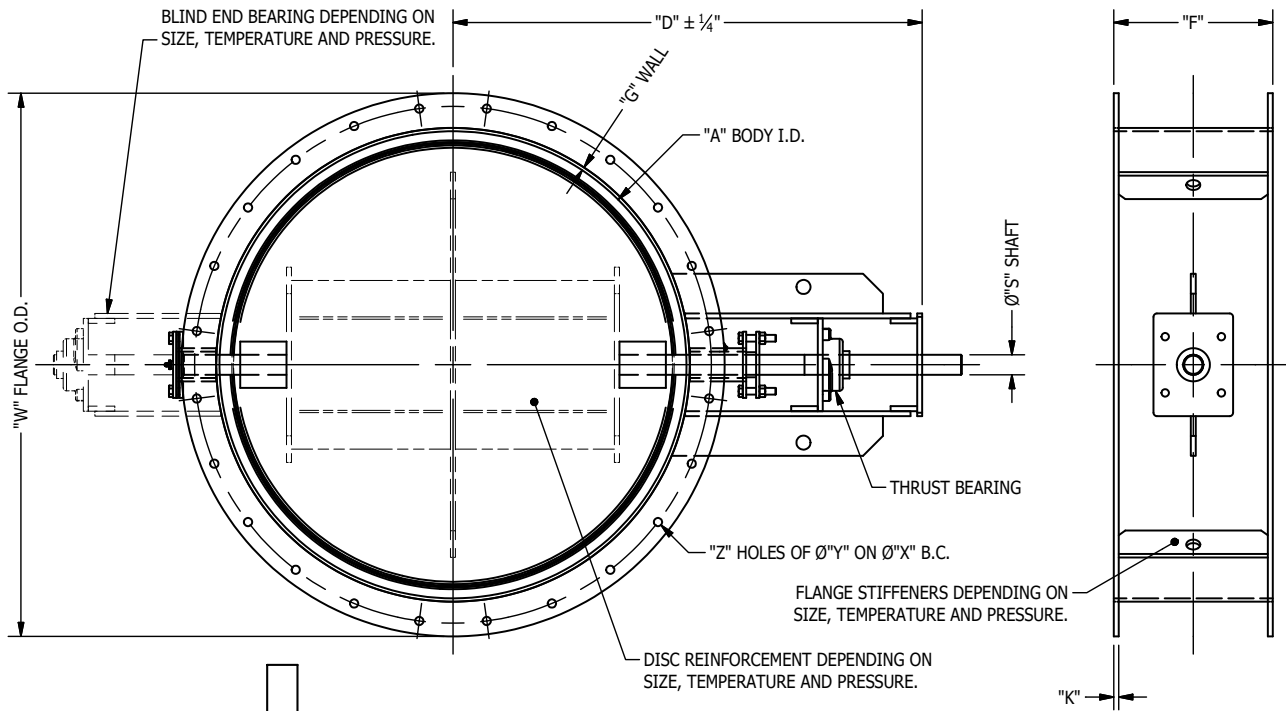
Our 4300 series features a bubble tight shut-off with combined scissors/inflatable seat, double disc for redundant bubble tight shut-off in the event of seal damage, airfoil reinforced disc (optional), an easy replacement of seal on sizes 36" and larger without removing valve from the line, positive seal inflation when disc in closed position, and deflation before disc opening and bubble T.S.O. service. Various actuation are available including pneumatic, electric, hydraulic and manual. Lower actuator torque due to zero interference on opening and closing. The 4300 series can be used with nuclear safety and non-safety related applications for bubble tight shut-off.

Construction and Material	
Body, Disc & Flange	Standard – Carbon Steel Optional – A-588, Stainless Steel, Exotic Materials & Any Weldable Alloy Available on Request
Shaft	Standard – Stainless Steel Optional – Various Stainless Steel & Exotic Materials
Bushings	Standard – Carbon Graphite Optional – Bronze, Teflon & Nitronic 60
Bearings	Standard – Power End Optional – Ball & roller – all sizes
Packing Follower	Standard – Stainless Steel Optional – Same alloys as body
Lantern Gland	Standard – Carbon Steel Optional – Same alloys as body
Seat	Standard – E.P.D.M & Neoprene Optional – Viton

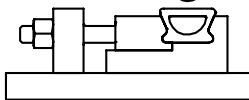
Operating Conditions	
Max. Temp.	Standard - 300°F Optional - 400°F
Max. Static Pressure	Standard - 25 PSIG Optional - 30 PSIG
Max. Pressure Drop	Standard - 1 PSI Optional - 50 PSI



MODEL 4300 SERIES BUBBLE TIGHT / ZERO LEAKAGE BUTTERFLY VALVE



FLATE-O-SEAL SEAT



Various gasket options including:

- Neoprene (200°F)
- EPDM (325°F)
- Viton (400°F)

Maximum Shut-Off
Pressure Drop: 25 PSI

**Larger sizes available
on request.*

Nom. Size	Valve Dimensions (In Inches)							Bolting (In Inches)		
	A	D	F	G	K	S	W	X	Y	Z
8	7.75	16.875	10	0.125	0.25	1	10.75	9.625	0.5	8
10	9.625	18.375	10	0.188	0.375	1	13.125	12	0.5	8
12	11.625	19.625	10	0.188	0.375	1	15.875	14.375	0.5	12
14	13.5	20.75	10	0.188	0.375	1	17.5	16	0.5	12
16	15.5	21.875	10	0.188	0.375	1	20	18.5	0.5	12
18	17.5	23	10	0.188	0.375	1	21.375	19.875	0.5	12
20	19.5	24	10	0.188	0.375	1.25	23.625	22.125	0.5	16
22	21.5	25.125	10	0.188	0.375	1.25	25.75	24.25	0.5	16
24	23.25	26.125	10	0.25	0.375	1.25	28	26.5	0.5	16
26	25.25	27.25	10	0.25	0.375	1.25	30	28.25	0.5	16
28	27.25	28.25	10	0.25	0.375	1.25	32.5	31	0.5	20
30	29.25	29.375	12	0.25	0.375	1.5	34.5	33	0.625	20
32	31.25	30.375	12	0.25	0.375	1.5	36.75	35	0.625	20
34	33.25	31.375	12	0.25	0.375	1.5	38.75	37	0.625	20
36	35.25	32.375	12	0.25	0.375	1.5	41	39	0.625	24
38	37.25	33.375	12	0.25	0.375	1.5	43.5	41	0.625	24
40	39.25	34.625	12	0.375	0.375	1.5	45.5	43	0.625	28
42	41.75	35.875	12	0.375	0.375	1.5	47.75	45	0.625	28
44	44	37	12	0.375	0.375	1.75	50	47	0.75	32
46	46	38	12	0.375	0.375	1.75	52	49	0.75	32
48	48.25	39.125	12	0.375	0.375	1.75	54.25	51.5	0.75	36