

4100 SERIES BUBBLE TIGHT / ZERO LEAKAGE BUTTERFLY VALVE

4100 SERIES EV-O-SEAL | Rev. 10/18/23

Elite Industrial Controls is an American manufacturer of Industrial Control Valves and Dampers. We offer solutions to Industrial Automation and thermal management solutions serving customers around the world in various industries and across several technological platforms. We are committed to providing customers with service of the highest possible level of quality.



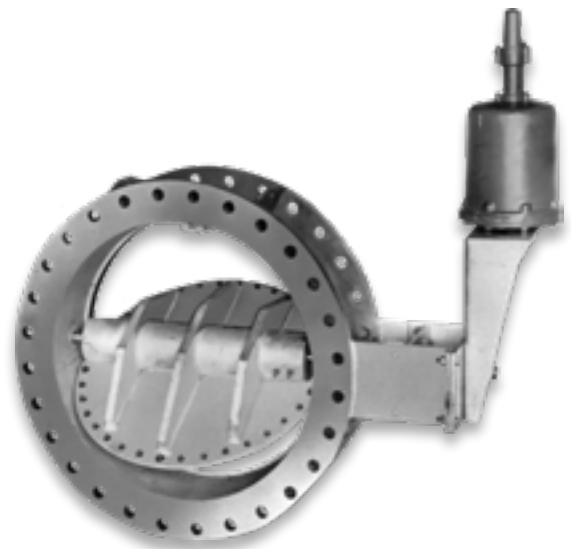
Our 4100 series features a double disc for redundant bubble tight (optional) shut-off in the event of a seal being damaged, airfoil reinforced disc (optional), an easy replacement of seal on sizes 48" and larger without removing the valve from the line and a positive system isolation in positive or negative pressure systems. Various actuation are available including pneumatic, electric, hydraulic and manual. The 4100 series can be used with nuclear safety and non-safety related applications for bubble tight shut-off.

Construction and Material

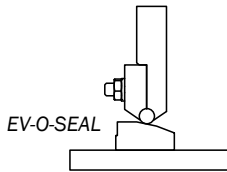
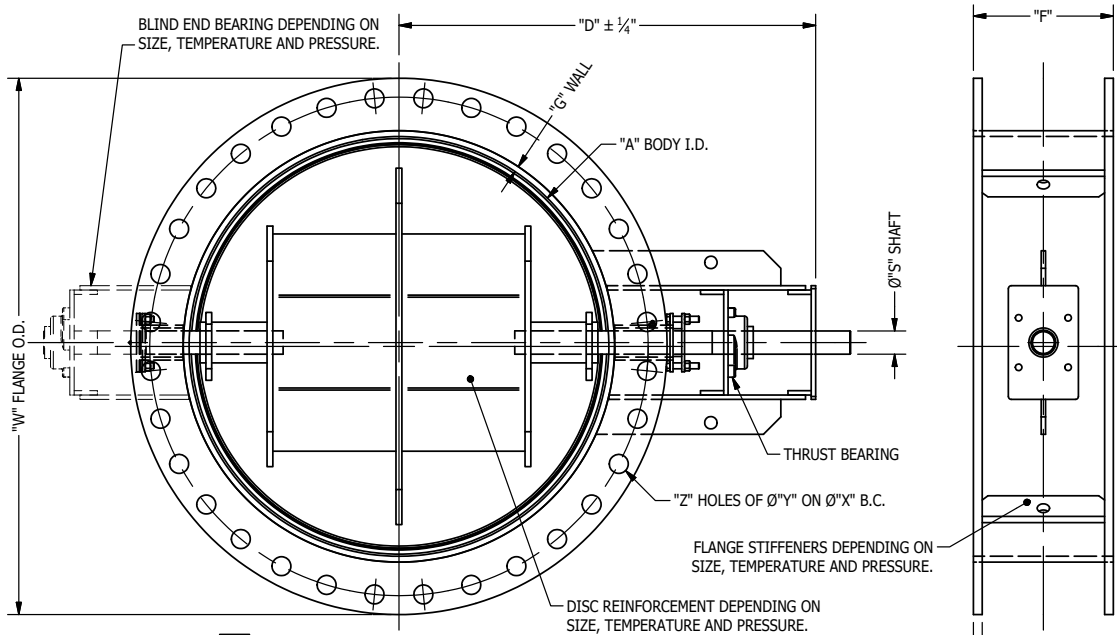
Body, Disc & Flange	Standard – Carbon Steel Optional – A-588, Stainless Steel, Exotic Materials & Any Weldable Alloy Available on Request
Shaft	Standard – Stainless Steel Optional – Various Stainless Steel & Exotic Materials
Bushings	Standard – Carbon Graphite Optional – Bronze, Teflon & Nitronic 60
Bearings	Standard – Standard Power End Optional – Ball & roller – all sizes
Packing Follower	Standard – Stainless Steel Optional – Same alloys as body
Lantern Gland	Standard – Carbon Steel Optional – Same alloys as body
O-Ring	Standard E.P.D.M Optional – Neoprene, Teflon, Silicone, Viton, Buna 'N

Operating Conditions

Max. Temp.	Standard - 300°F, Optional - 450°F
Max. Static Pressure	Standard - 50 PSIG, Optional - 60 PSIG
Max. Pressure Drop	Standard - 25 PSI, Optional - 50 PSI



MODEL 4100 SERIES BUBBLE TIGHT / ZERO LEAKAGE BUTTERFLY VALVE



Various gasket options including:

- Buna-N (200°F)
- EPDM (325°F)
- Viton (400°F)
- Teflon (425°F)

Maximum Shut-Off
Pressure Drop: 50 PSI

*Larger sizes available
on request.

Nom. Size	Valve Dimensions (In Inches)							Bolting (In Inches)		
	A	D	F	G	K	S	W	X	Y	Z
4	(4.026)	14.75	9	(0.237)	0.375	1	9	7.5	0.75	8
5	(5.047)	15	9	(0.258)	0.375	1	10	8.5	0.875	8
6	(6.065)	15.875	9	(0.28)	0.375	1	11	9.5	0.875	8
8	(7.981)	17.25	9	(0.322)	0.375	1.75	13.5	11.75	0.875	8
10	(10.02)	18.875	9	(0.365)	0.375	1.75	16	14.25	0.875	12
12	12	20.125	9	0.375	0.375	1.75	19	17	1	12
14	13.5	21	12	0.375	0.375	1.75	21	18.75	1	12
16	15.5	22.125	12	0.375	0.375	1.75	23.5	21.25	1.125	16
18	17.5	23.125	12	0.375	0.375	2	25	22.75	1.125	16
20	19.5	24.25	12	0.375	0.375	2	27.5	25	1.25	20
22	21.5	25.25	12	0.375	0.375	2	29.5	27.25	1.25	20
24	23.25	27.875	12	0.375	0.5	2.5	32	29.5	1.375	20
26	25.25	29.125	12	0.375	0.5	2.5	34.25	31.75	1.375	24
28	27.25	30.125	12	0.375	0.5	2.5	36.5	34	1.375	28
30	29.25	31.125	12	0.375	0.5	2.5	38.75	36	1.375	28
32	31.25	32.25	12	0.375	0.5	2.5	41.75	38.5	1.625	28
34	33.25	33.25	12	0.375	0.5	3	43.75	40.25	1.625	32
36	35.25	34.25	12	0.375	0.5	3	46	42.75	1.625	32
38	37.25	35.5	12	0.5	0.5	3	48.75	45.25	1.625	32
40	39.25	36.5	12	0.5	0.5	3	50.75	47.25	1.625	36
42	41.25	37.5	12	0.5	0.5	3	53	49.5	1.625	36
44	43.25	38.5	12	0.5	0.5	3	55.25	51.75	1.625	40
46	45.25	39.5	12	0.5	0.5	3.5	57.25	53.5	1.625	40
48	47.25	40.625	12	0.5	0.5	3.5	59.5	56	1.625	44