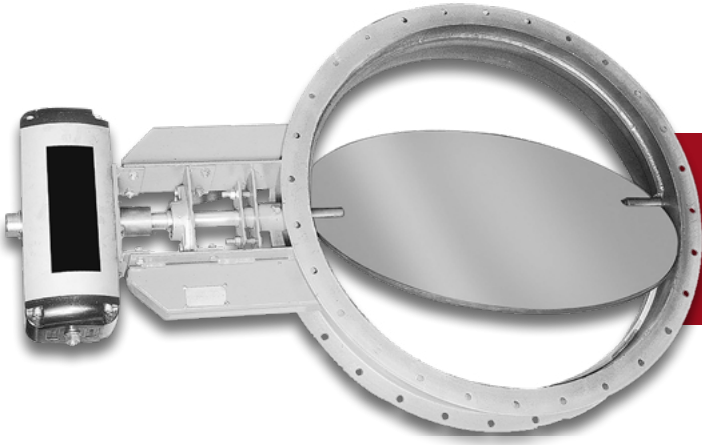




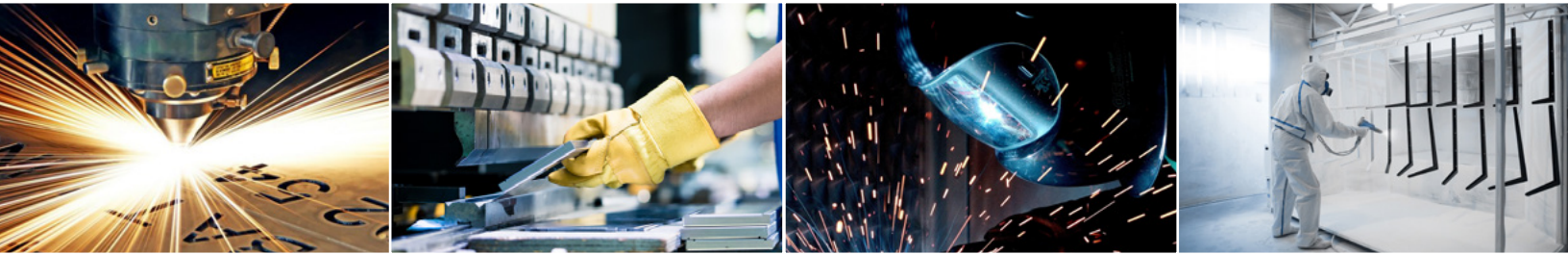
Proudly Made In USA



2100 SERIES ROUND BUTTERFLY DAMPER

2100 SERIES DUCTWORK DRILLED - MEDIUM DUTY | Rev. 08/11/23

Elite Industrial Controls is an American manufacturer of Industrial Control Valves and Dampers. We offer solutions to Industrial Automation and thermal management solutions serving customers around the world in various industries and across several technological platforms. We are committed to providing customers with service of the highest possible level of quality.



Construction and Material

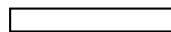
Body, Disc & Flange	Standard - Carbon Steel Optional - Stainless Steel
Drilling	Ductwork
Shaft	Standard - Stainless Steel
Bushings	Standard - Carbon Graphite Optional - Bronze, Teflon & Nitronic 60
Packing Follower	Standard - Stainless Steel
Stuffing Box Housing	Standard - Carbon Steel Optional - Stainless Steel

The standard valve design is to bolt into either existing or new lines with a standard "Ductwork Drill" flanges. If new construction, companion flanges can be provided. Standard face to face dimension is 6" but custom face to face dimensions can be provided. Light enough to fit in almost any application but strong enough to outlast the competition. Mainly supplied to the HVAC industry our medium duty line will be the last valve you will have to install. Our 2100 series is the standard for your application.

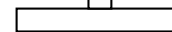
VALVE SEAT OPTIONS

**Leakage based on damper capacity*

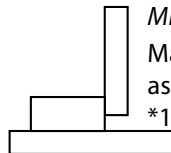
CONVENTIONAL SEAT
Swing-thru design,
*4-5% leakage



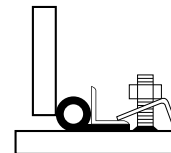
SCISSOR SEAT
Swing-thru design,
approx. *1-2% leakage



METAL SEAT
Materials same
as body - approx.
*1% leakage



TADPOLE SEAT
Material furnished
varies with service.
Temperatures up
to 2,300°F, approx.
*1/4 of 1% leakage



Operating Conditions

Max. Temp.	Carbon Steel - 750°F Stainless Steel - 1,000°F
Max. Static Pressure	20 PSIG. at Ambient
Max. Pressure Drop	1 PSI. Standard